

# Deck System

## How-To Build a Shed Floor

### STEP 1 - Place the two corner Dek-Block® piers

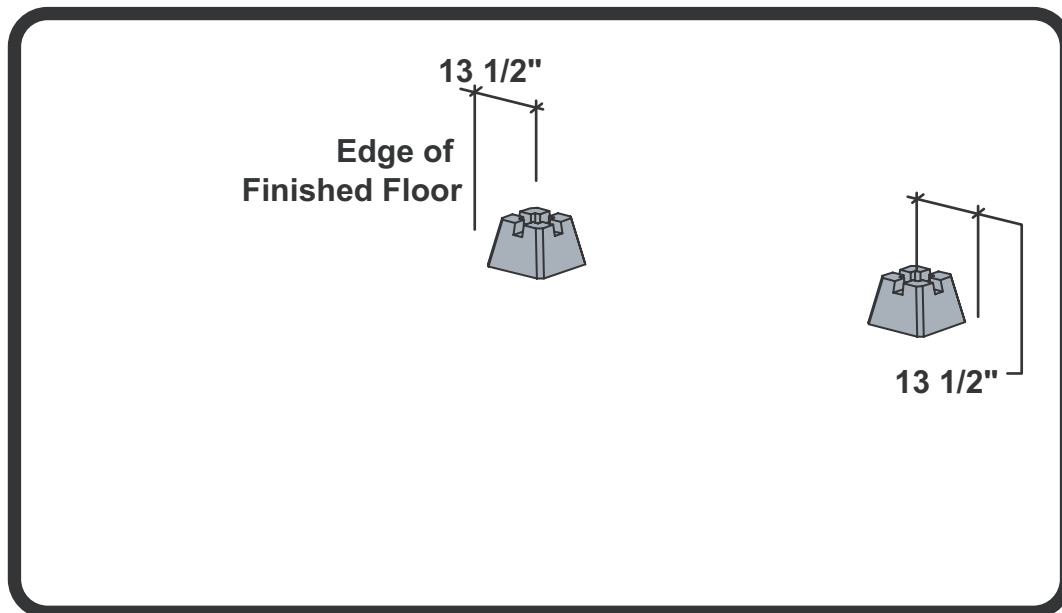
Begin by positioning two corner Dek-Block® piers directly on the soil. If the ground is sloped, remove only the top soil directly under the block so that the block sits level. Verify that the distance between the blocks is accurate by referencing the dimensions on the plan. The outside edge of the finished floor will extend out past the center of the Dek-Block® piers by 13 1/2" on both sides.

#### Deckman's Tip

*There is no such thing as a perfectly level yard. I get a lot of calls and e-mails from people who try not to use 4x4 posts. The best tip I can give anyone building a shed floor is to use 4x4 posts, even if you only have a very slight slope of the yard. Leveling every block to each other is very difficult and time consuming. If you need a 2-1/4" 4x4 post, cut a 2-1/4" 4x4 post. It takes about 90 seconds to measure and cut a 4x4 post, and the post only weighs a few pounds. Moving a block up or down to an exact measurement takes 4 to 10 minutes per block. Remember, these are 42 lb. blocks you're working with. Save your back for carrying the cooler onto the deck when you're done.*

#### Deckman's Tip

*Don't spend a lot of time leveling the Dek-Block® piers. The block does not need to be perfect. The block can be leveled with only your eye. Position the block so that it looks level. If you place a level in the block, you are spending too much time. Any slight difference will be made up with the 4"x4" post. You also want to make sure the Dek-Block® piers are sitting FLAT. You don't want any rocking of the piers on the ground.*



Shop Today

Build on Saturday

Enjoy on Sunday

These plans are intended for consumer use only. Copyright 2006 Proshop Plans Co. They may not be reproduced, copied, distributed or disseminated without the written permission of DEKBRANDS. DEKBRANDS and Dek-Block are trademarks of Proshop Plans Co., Inc. U.S. Patent 5,392,575, 5,953,874, 6,324,801B1, 6,446,403B2, 6,550,201B2, and 6,609,346B2 Pat. Pend/App. Pend. Manufactured under license.

**DEKBRANDS**  
EASY-TO-DO DECKS  
*In just one day*

**WWW.DECKPLANS.COM**  
Hundreds of Free Plans, tips, and Ideas Available Online

Live Technical Support:  
7 days a week - 5:00am to 9:00pm CST  
**1-800-664-2705**

# Deck System

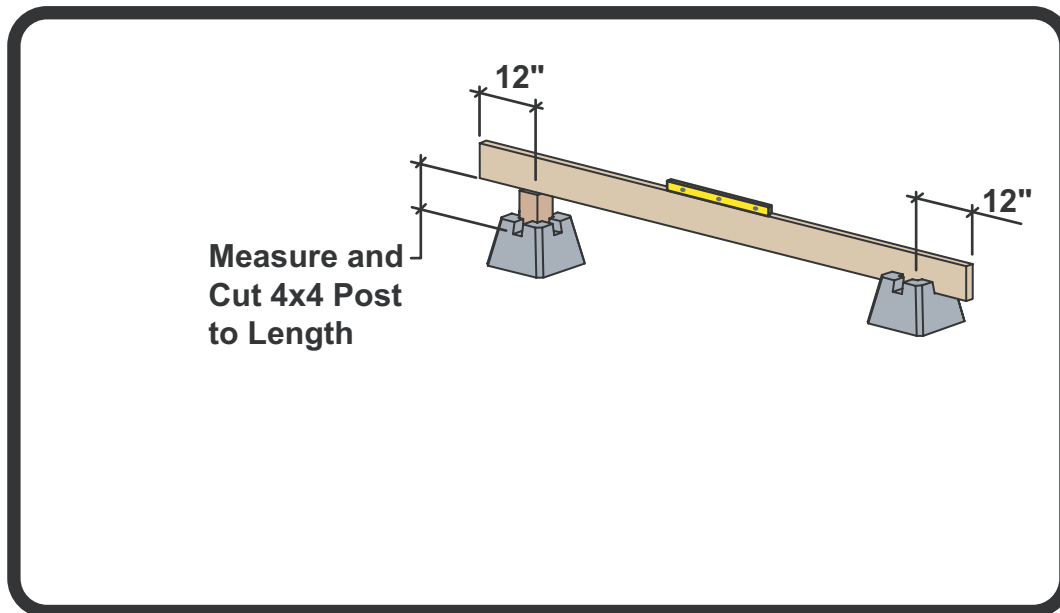
## How-To Build a Shed Floor

### STEP 2 - Level the support board.

Locate the highest corner Dek-Block® pier. Position a 2"x6" support board in or above this first block to your desired height. If the entire floor will be elevated, you will need to have a 4"x4" post in the first block.

*If the entire floor is elevated, you will need to find the height of the first 4"x4" post to determine your starting point. Start by determining your reference point for the top of the floor surface, this may be a point on the siding of the house. From this mark, hold a level out over the block and measure from the bottom of the level to the pocket of the block. From this measurement, subtract the thickness of the surface planks and the thickness of the support board ( $3/4" + 5\ 1/2" = 6\ 1/4"$ ). Cut the first 4"x4" post at this measurement and continue with the directions.*

Place a 2"x6" support board in the slot of the Dek-Block® pier or on the 4"x4" post, and extend over the second corner Dek-Block® pier. Using a level on top of the 2"x6" support board, measure the distance from the bottom of the 2"x6" support board to the bottom of the pocket in the Dek-Block® pier. Cut a 4"x4" post to length and position the 2"x6" support board on top. Verify that the 2"x6" support board is level. But don't attach 2"x6" support board to the 4"x4" post yet.



Shop Today

Build on Saturday

Enjoy on Sunday

These plans are intended for consumer use only. Copyright 2006 Proshop Plans Co. They may not be reproduced, copied, distributed or disseminated without the written permission of DEKBRANDS. DEKBRANDS and Dek-Block are trademarks of Proshop Plans Co., Inc. U.S. Patent 5,392,575, 5,953,874, 6,324,801B1, 6,446,403B2, 6,550,201B2, and 6,609,346B2 Pat. Pend/App. Pend. Manufactured under license.

**DEKBRANDS**  
EASY-TO-DO DECKS  
*In just one day*

**WWW.DECKPLANS.COM**  
Hundreds of Free Plans, tips, and Ideas Available Online

Live Technical Support:  
7 days a week - 5:00am to 9:00pm CST  
**1-800-664-2705**

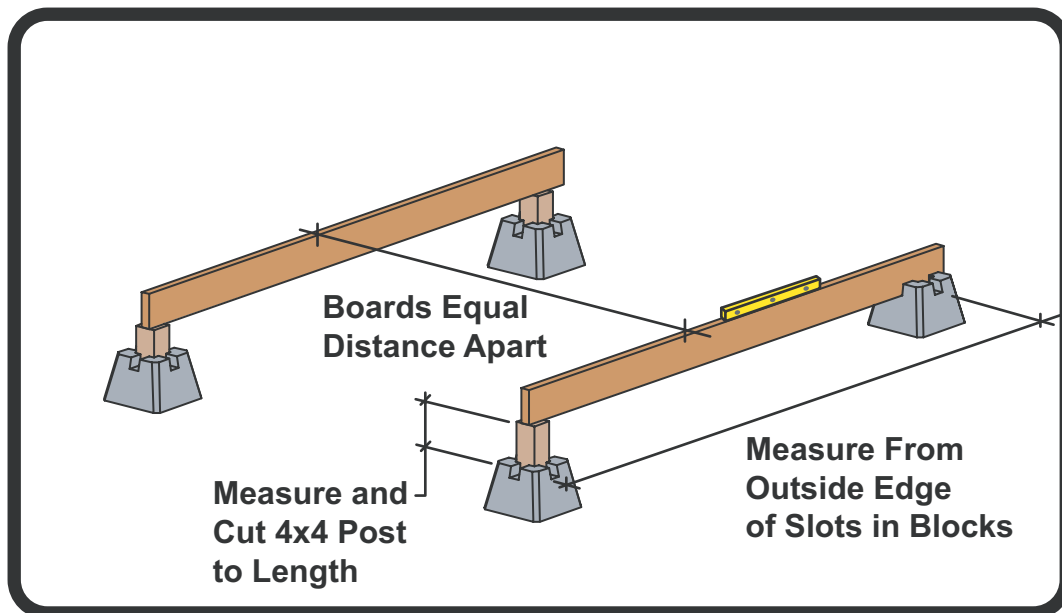
# Deck System

## How-To Build a Shed Floor

### STEP 3 - Level the furthest point.

First, place the two remaining corner Dek-Block® piers. Next, measure the depth of the shed floor from the outside edge of one block to the outside edge of the next block. Use the same width between Dek-Block® piers as the first row.

Remove the first support board and temporarily position a 2"x6" end board on top of the first row's 4"x4" post or block, and extend to the outside corner block. Using a level on top of the 2"x6" end board, measure the distance from the bottom of the 2"x6" end board to the bottom of the pocket of the Dek-Block® pier. Cut a 4"x4" post to length and position the 2"x6" end board on top. Verify that the 2"x6" end board is level. When level, remove the end board and repeat for opposite side.



Shop Today

Build on Saturday

Enjoy on Sunday

These plans are intended for consumer use only. Copyright 2006 Proshop Plans Co. They may not be reproduced, copied, distributed or disseminated without the written permission of DEKBRANDS. DEKBRANDS and Dek-Block are trademarks of Proshop Plans Co., Inc. U.S. Patent 5,392,575, 5,953,874, 6,324,801B1, 6,446,403B2, 6,550,201B2, and 6,609,346B2 Pat. Pend/App. Pend. Manufactured under license.



**WWW.DECKPLANS.COM**  
Hundreds of Free Plans, tips, and Ideas Available Online

Live Technical Support:  
7 days a week - 5:00am to 9:00pm CST  
**1-800-664-2705**

# Deck System

## How-To Build a Shed Floor

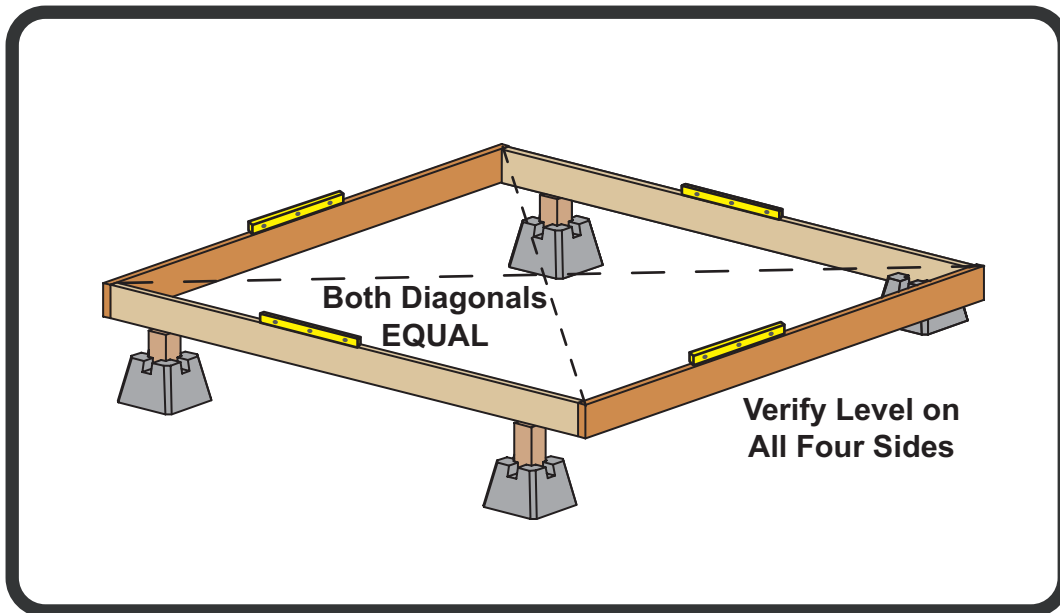
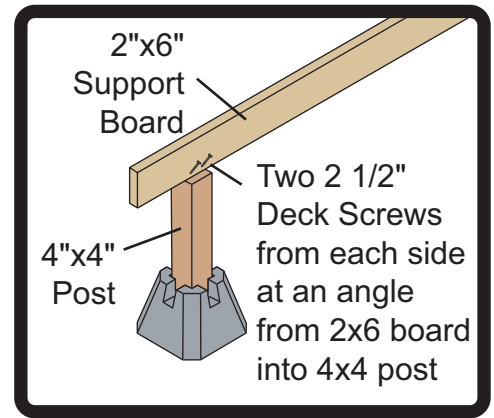
### STEP 4 - Square the frame.

Place a 2"x6" support board on top of each row of Dek-Block® piers. Next, attach 2"x6" end boards to support boards using two 2 1/2" deck screws at each connection. Using a level as a guide, ensure that both end boards and both support boards are level.

Measure the diagonal distance from opposite corners. Adjust the outside support boards and Dek-Block® piers until the diagonal distance between opposite corners is EQUAL.

After the deck is square and level in all four directions, attach the 2"x6" support boards to the 4"x4" posts using two 2 1/2" deck screws at an angle from each side (toe-screw).

### Toe-Screwing 4x4 Posts



Shop Today

Build on Saturday

Enjoy on Sunday

These plans are intended for consumer use only. Copyright 2006 Proshop Plans Co. They may not be reproduced, copied, distributed or disseminated without the written permission of DEKBRANDS. DEKBRANDS and Dek-Block are trademarks of Proshop Plans Co., Inc. U.S. Patent 5,392,575, 5,953,874, 6,324,801B1, 6,446,403B2, 6,550,201B2, and 6,609,346B2 Pat. Pend/App. Pend. Manufactured under license.



**WWW.DECKPLANS.COM**  
Hundreds of Free Plans, tips, and Ideas Available Online

Live Technical Support:  
7 days a week - 5:00am to 9:00pm CST  
**1-800-664-2705**

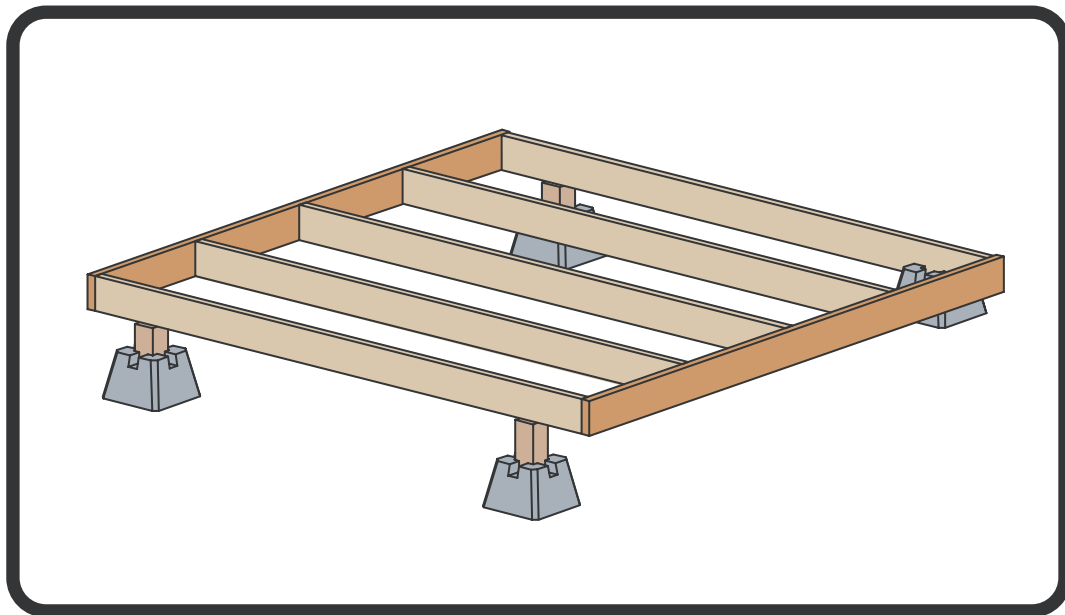
Floating Foundation

# Deck System

## How-To Build a Shed Floor

### STEP 5 - Attach remaining 2"x6" support boards.

Position and attach the remaining 2"x6" support boards to the end boards using the dimensions provided on the plan. Then use two 2 1/2" deck screws to attach the support board to the end board.



Shop Today

Build on Saturday

Enjoy on Sunday

These plans are intended for consumer use only. Copyright 2006 Proshop Plans Co. They may not be reproduced, copied, distributed or disseminated without the written permission of DEKBRANDS. DEKBRANDS and Dek-Block are trademarks of Proshop Plans Co., Inc. U.S. Patent 5,392,575, 5,953,874, 6,324,801B1, 6,446,403B2, 6,550,201B2, and 6,609,346B2 Pat. Pend/App. Pend. Manufactured under license.

**DEKBRANDS**  
EASY-TO-DO DECKS  
*In just one day*

**WWW.DECKPLANS.COM**  
Hundreds of Free Plans, tips, and Ideas Available Online

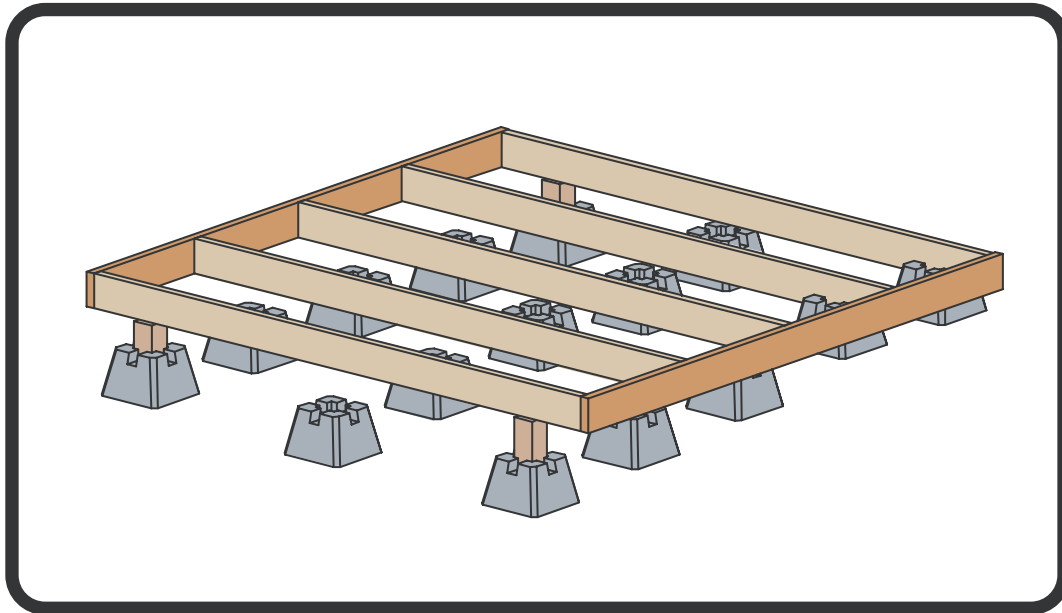
Live Technical Support:  
7 days a week - 5:00am to 9:00pm CST  
**1-800-664-2705**

# Deck System

## How-To Build a Shed Floor

### STEP 6 - Position remaining Dek-Block® piers.

Using the frame as a guide, position the remaining Dek-Block® piers directly beneath the frame using the dimensions provided on the plan. The blocks to the outside of the deck should be 12 inches in from each end.



Shop Today

Build on Saturday

Enjoy on Sunday

These plans are intended for consumer use only. Copyright 2006 Proshop Plans Co. They may not be reproduced, copied, distributed or disseminated without the written permission of DEKBRANDS. DEKBRANDS and Dek-Block are trademarks of Proshop Plans Co., Inc. U.S. Patent 5,392,575, 5,953,874, 6,324,801B1, 6,446,403B2, 6,550,201B2, and 6,609,346B2 Pat. Pend/App. Pend. Manufactured under license.

**DEKBRANDS**  
EASY-TO-DO DECKS  
*In just one day*

**WWW.DECKPLANS.COM**  
Hundreds of Free Plans, tips, and Ideas Available Online

Live Technical Support:  
7 days a week - 5:00am to 9:00pm CST  
**1-800-664-2705**

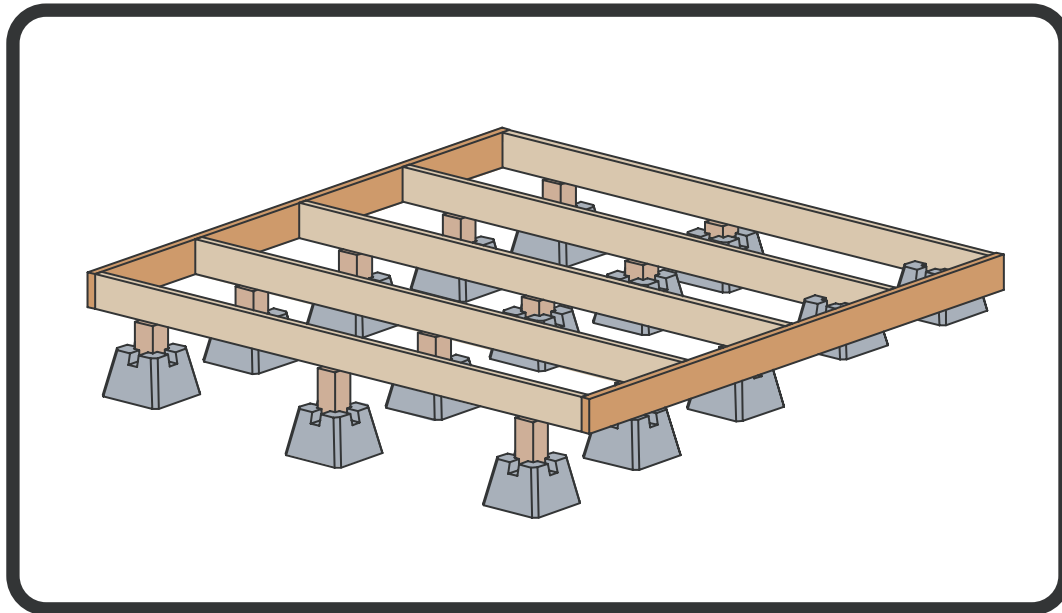
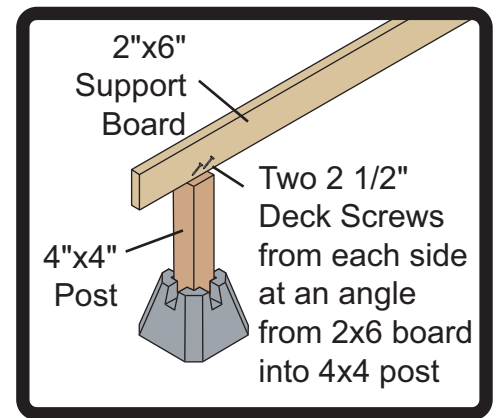
# Deck System

## How-To Build a Shed Floor

### STEP 7 - Fill remaining 4"x4" posts.

Begin by going down each row, measuring the distance between the 2"x6" support board and the Dek-Block® pier. Next, cut 4"x4" posts to length and position between the support board and the Dek-Block® pier. Repeat until all 4"x4" posts are cut and positioned. Secure all support boards and 4"x4" posts using two 2 1/2" deck screws at an angle from each side (toe-screw).

### Toe-Screwing 4x4 Posts



Shop Today

Build on Saturday

Enjoy on Sunday

These plans are intended for consumer use only. Copyright 2006 Proshop Plans Co. They may not be reproduced, copied, distributed or disseminated without the written permission of DEKBRANDS. DEKBRANDS and Dek-Block are trademarks of Proshop Plans Co., Inc. U.S. Patent 5,392,575, 5,953,874, 6,324,801B1, 6,446,403B2, 6,550,201B2, and 6,609,346B2 Pat. Pend/App. Pend. Manufactured under license.



**WWW.DECKPLANS.COM**  
Hundreds of Free Plans, tips, and Ideas Available Online

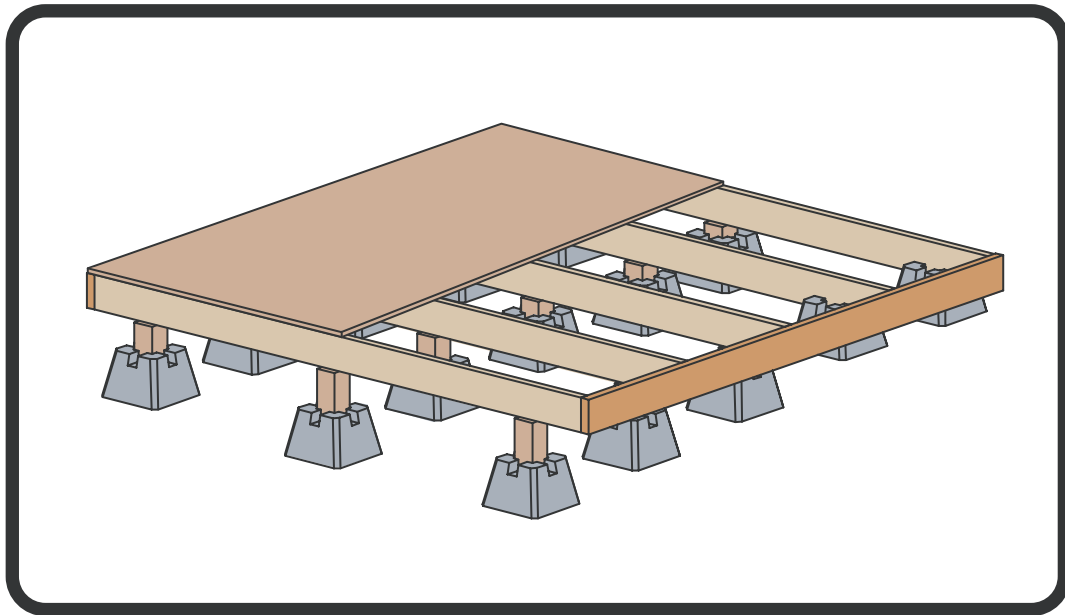
Live Technical Support:  
7 days a week - 5:00am to 9:00pm CST  
**1-800-664-2705**

# Deck System

## How-To Build a Shed Floor

### STEP 8 - Attach the decking.

Starting from one side of the deck, attach the first sheet of 3/4" treated plywood flush and square to one corner of the floor. Secure into place with 1 1/2" deck screws every 8 inches along the connection of each support board.



Shop Today

Build on Saturday

Enjoy on Sunday

These plans are intended for consumer use only. Copyright 2006 Proshop Plans Co. They may not be reproduced, copied, distributed or disseminated without the written permission of DEKBRANDS. DEKBRANDS and Dek-Block are trademarks of Proshop Plans Co., Inc. U.S. Patent 5,392,575, 5,953,874, 6,324,801B1, 6,446,403B2, 6,550,201B2, and 6,609,346B2 Pat. Pend/App. Pend. Manufactured under license.

**DEKBRANDS**  
EASY-TO-DO DECKS  
*In just one day*

**WWW.DECKPLANS.COM**  
Hundreds of Free Plans, tips, and Ideas Available Online

Live Technical Support:  
7 days a week - 5:00am to 9:00pm CST  
**1-800-664-2705**